

Hello Yellow. Goodbye Consumables.



589/1319 nm WITH
NO CONSUMABLES



MULTIPLE WAVELENGTHS
FROM A SINGLE HANDPIECE



VASCULAR, ACNE, SCARRING,
REJUVENATION

TECHNICAL FACTS

Name	ADVATx™
Technology	Solid-state (crystal)
Wavelength	589 nm & 1319 nm
Spotsize	1 mm
Scanner	1x1 mm to 10x10 mm
Fluence	5 J/cm ² – 60 J/cm ²
Weight	80 kg
Consumables	None
Certifications	CE mark & FDA 510 (k)



1850 Diamond Street #104
San Marcos, CA 92078
USA
Phone: 888-354-5551

Brydehusvej 30
2750 Ballerup
Denmark
Phone: +45 46 96 54 12

www.advalight.com info@advalight.com

Exclusive Distributor

ABSOLUTE MS (S) PTE LTD

73 Ubi Road 1 #07-48 Oxley Bizhub Singapore 408733 Tel: 6509 0091 www.absolutems.com.sg



AB-ADVATX Rev.00



ADVATx®

Versatile and *effective* dermatology lasers

ADVANCED

Solid-state 589nm and 1319nm PulSync™ Laser
Diode Laser pumped ND:YAG

“The Next Generation
Replacement for the
Pulsed Dye laser”

David Goldberg, MD





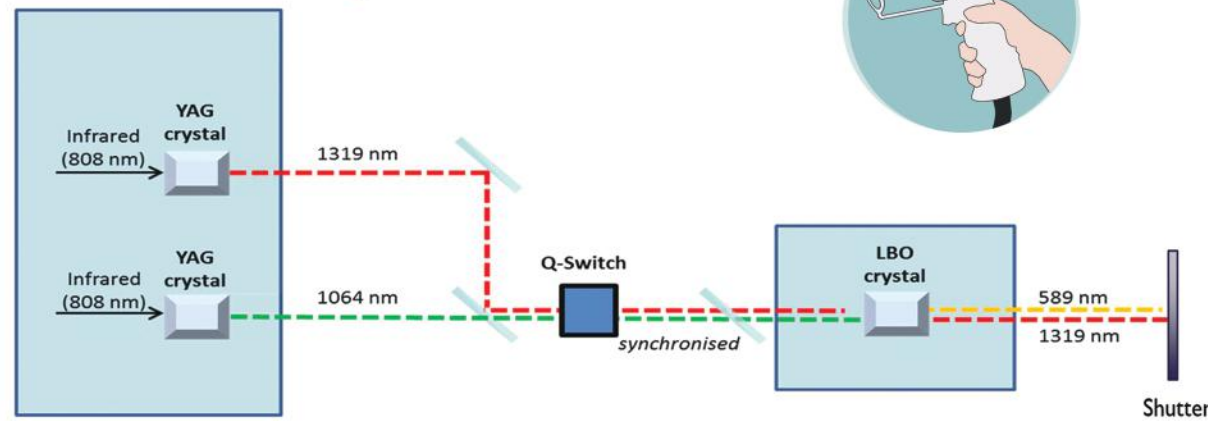
589/1319nm WITH NO CONSUMABLES

ADVATx is the world's most advanced solid-state yellow laser for effective treatment of *vascular abnormalities, acne, scars, warts and wrinkles*.

Advanced in technology, but simple to use. **ADVATx** was developed for physicians who are looking for the most advanced solutions for highly desired treatments, without pain, downtime or expensive consumables.

Multiple wavelengths, single spot or fractional delivery allow the physicians to customize the treatment to achieve immediate visible results, with no pain or unwanted side effects like bruising, purpura or scarring.

PATENTED PulSync™ TECHNOLOGY



Initially, 2 wavelengths are generated by two separated laser systems at **1064nm** and **1319nm**. PulSync then synchronizes (blends) both wavelengths before the resulting beam is fed through a non-linear crystal, transforming the beam into a single **589nm**, pure yellow wavelength.

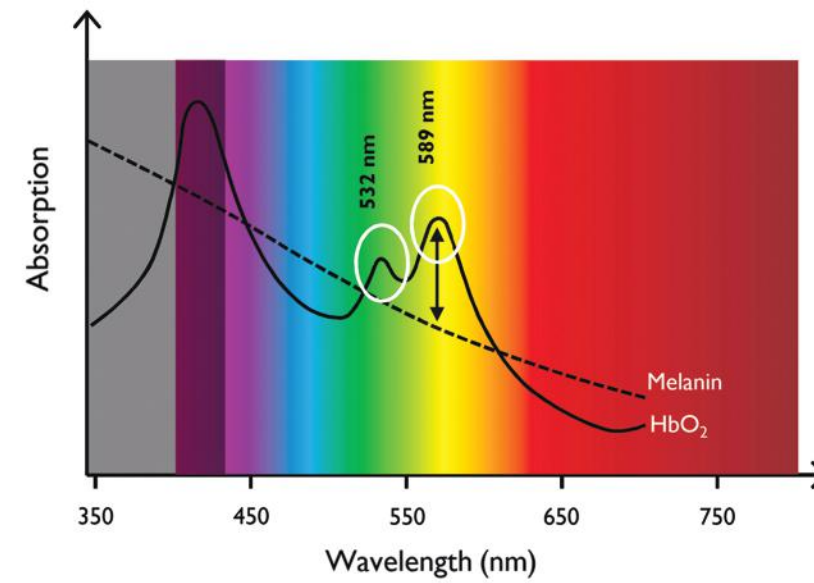
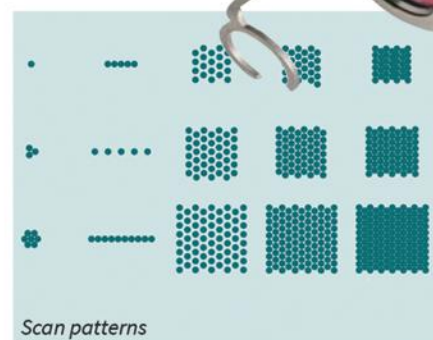
PulSync generates a continuous beam consisting of multiple short pulses. For example, a 20ms pulse consists of 240 short pulses. The interval after each pulse allows the diffusion of heat, which allows to increase the temperature of the target gradually while preserving the surrounding tissues, and without creating purpura. Compared to continuous lasers and single-pulse lasers, the therapeutic window is increased, which explains why the use of a cold system is not mandatory.



MULTIPLE INDICATIONS

As the world's only solid-state laser producing both **589nm** and **1319nm** wavelength.

ADVATx has over 15 FDA /CE cleared indications including vascular conditions, acne, scars, warts and wrinkles.



When targeting vascular abnormalities, the ultimate goal is to target hemoglobin with a wavelength that achieves maximum absorption with a minimum loss of energy in the melanin. It's well known, and clinically validated that light within the yellow spectrum achieves this desired peak absorption rate.

FDA
589nm

Inflammatory Acne Vulgaris
Port Wine Stains
Telangiectasia (Face/Legs)
Poikiloderma of Civatte

Venous Lake
Rosacea
Hemangioma
Warts

Psoriasis
Scars
Striae
Wrinkles/Fine Lines

CE
589nm

Spider Veins (Face/Legs)
Port Wine Stains
Red or Hypertrophic Scars
Hyperpigmentation

Telangiectasia
Hemangiomas
Skin Rejuvenation

Venous Lakes
Melasma
Rosacea

FDA
1319nm

Fine lines and Wrinkles
Atrophic Acne Scars
Mild/Moderate Inflammatory acne

Reduction of Enlarged Pores
Reduction of Acne Scars
Mild/Moderate Inflammatory
Acne Vulgaris

CE
1319nm

"This dual wavelength laser allows us to handle both vascular lesions, scars and wrinkles with a machine. It has also become our lasers of choice in the treatment of acne and acne scars. We are delighted with our **ADVATx** and we think it is a game changer"

Michael Gold, M.D.
Director
Tennessee Clinica Research Center

"The **ADVATx** is the one of the most versatile lasers I have used. With its reliable **589nm** emitted through a maintenance free crystal, I have used this wavelength to treat Acne, Telangiectasias, Hemangiomas, Warts, Scars, & Wrinkle Reduction with great results. Through the **1319nm**, I have successfully treated Sebaceous hyperplasia along with the highest success of any device I have seen for Acne when used synergistically with the **589nm**. With multiple programmable spot sizes, plus a scanner for treatment, patient comfort and speed are easy with the **ADVATx** laser."

Steven D.Shapiro M.D. / Garden Dermatology / Florida, USA

